



WWW.BULLBBQ.COM

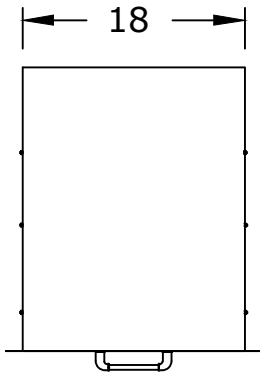
**SPEC SHEET OUTLINE**

ITEM # 56935

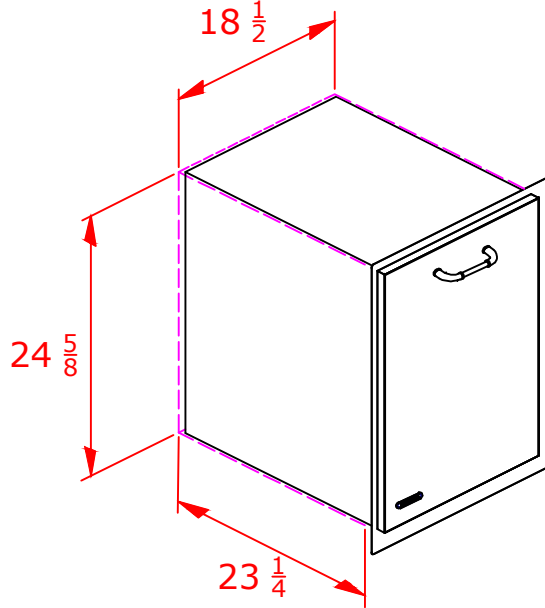
DESCRIPTION -  
DOUBLE PULL-OUT  
TRASH/RECYCLE  
DRAWER

**REPLACEMENT PARTS LIST**

BULL PART NO.	DESCRIPTION	QTY
56936	DRAWER	1
56939	DRAWER RAIL, 22 INCH	2
16619	HANDLE	1
16611	HANDLE MOUNTING HARDWARE	1
16577	BULL SMALL LOGO PLATE	1
56938	PLASTIC TRASH BUCKET, 8 GALLON	2
56940	SUPPORT LEG	1

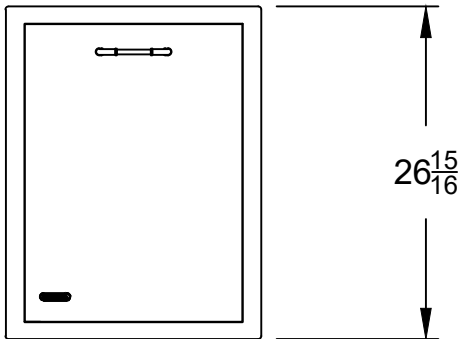


TOP VIEW

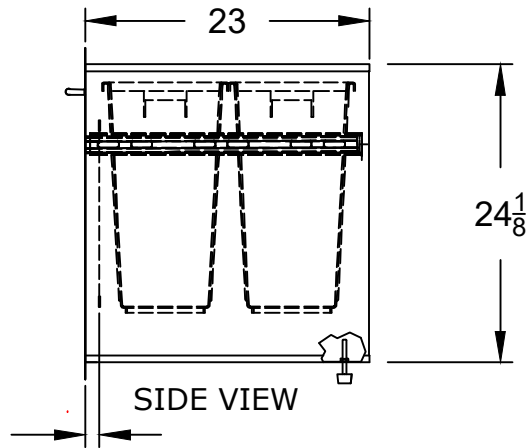


**PERSPECTIVE VIEWS**

WITH INSTALLATION CUT OUT DIMENSIONS



FRONT VIEW



SIDE VIEW

1/8  
MOUNTING SLOTS  
2 ON EACH SIDE

**NOTES:**

- 1) ALL DIMENSIONS ARE IN INCH UNITS
- 2) REFER TO PERSPECTIVE VIEW FOR INSTALLATION CUTOUT DIMENSIONS.
- 3) REFER TO PAGES 2-4 FOR REPLACEMENT PART INFO AND WARRANTY POLICY

PAGE 1 v.2021.09.15

**SPEC SHEET REVISION BLOCK**

- TO BE UPDATED WITH EACH FORMAL REVISION AND SAVED ALONG WITH PRIOR REVISION HISTOF

DRAWN BY / DATE JOE C / 7-30-2021	REVISION HISTORY				
	VER NO.	BY	DATE	DESCRIPTION	APPD
APPROVED BY	V.2021.09.15	JC	9/14/2021	REVISED AND REDRAWN AFTER MEASURING PROTO-TYPE	