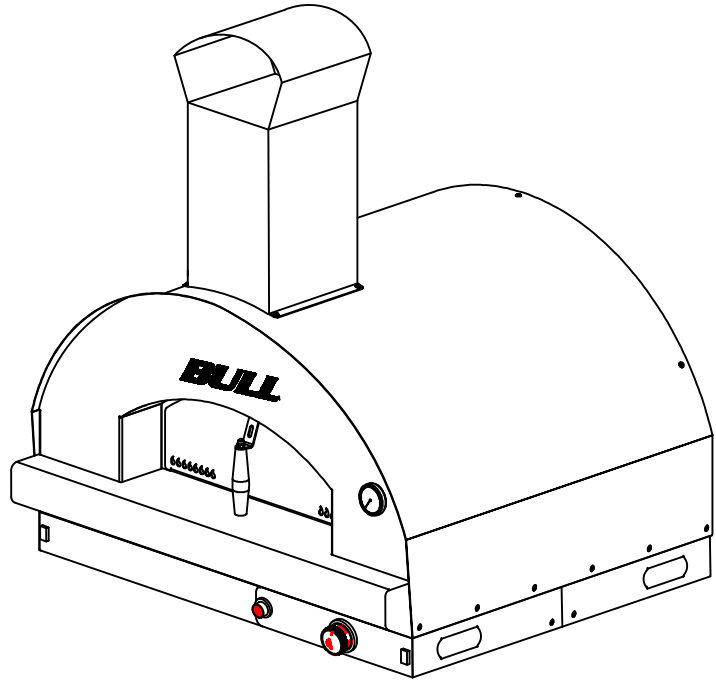


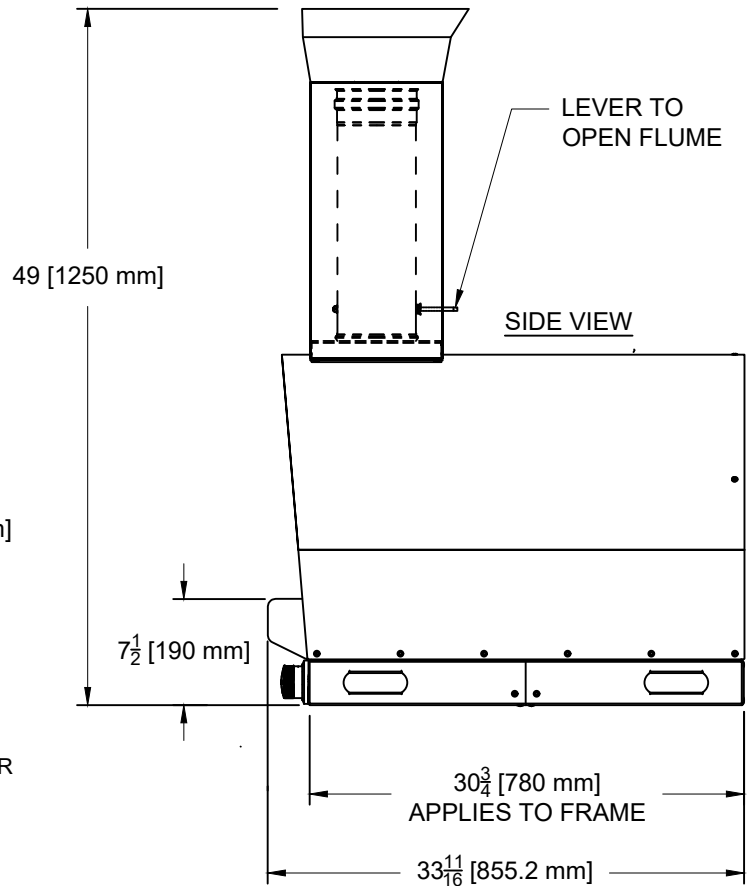
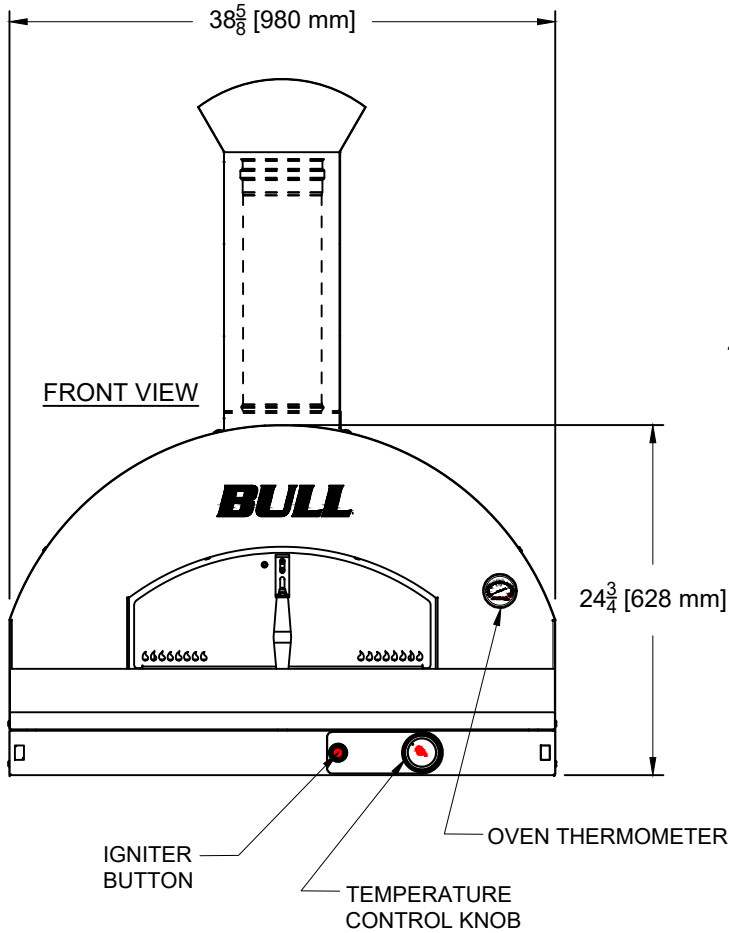


WWW.BULLBBQ.COM

**SPEC SHEET**  
**ITEM# 77650**  
**EXTRA LARGE**  
**PIZZA OVEN (LP)**



ISOMETRIC VIEW



**NOTES:**

1. ALL DIMENSIONS ARE IN INCHES AND [MILLIMETERS].
2. INSTALLATION CUTOUT DIMENSIONS ARE 40 WIDE X 31 DEEP X 4 3/4 TALL
3. OVEN MUST BE INSTALLED IN AN OBJECT, I.E. ISLAND, CABINET, ETC. THAT IS MADE FROM NON-COMBUSTIBLE MATERIALS.